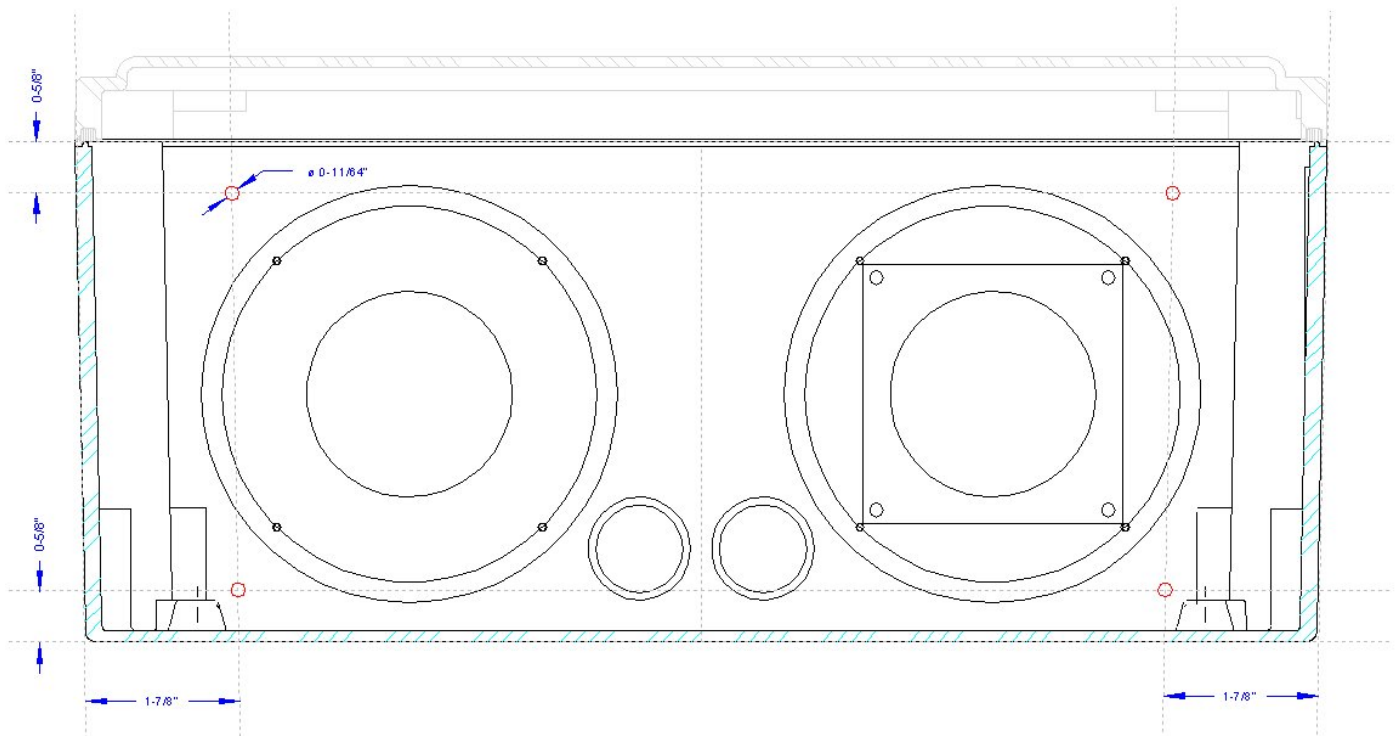


DeckTunes Free Standing Foot Kit Instruction Sheet



BOTTOM VIEW

Contents:

- 4 Each – Rubber Feet / Screws / Washers / Lock Nuts
- 1 Each – Hex Key / Instruction Sheet

Using an 11/64" bit drill 4 holes through bottom of unit 5/8" up & down and 1-7/8" in from outside edges.

(See reference diagram above)

Place washers on each of the 4 included hex head screws and insert through bottom (recessed area) of each rubber foot. Place into each drilled hole and secure using included hex key and a socket or wrench.

Important:

Only tighten screws until feet are snug against bottom of unit. Over tightening will result in over compression of the feet causing the screw head and washer to pull through the foot.

If you have any questions, please contact us at 877-434-0985 or Support@OutdoorAudio.com